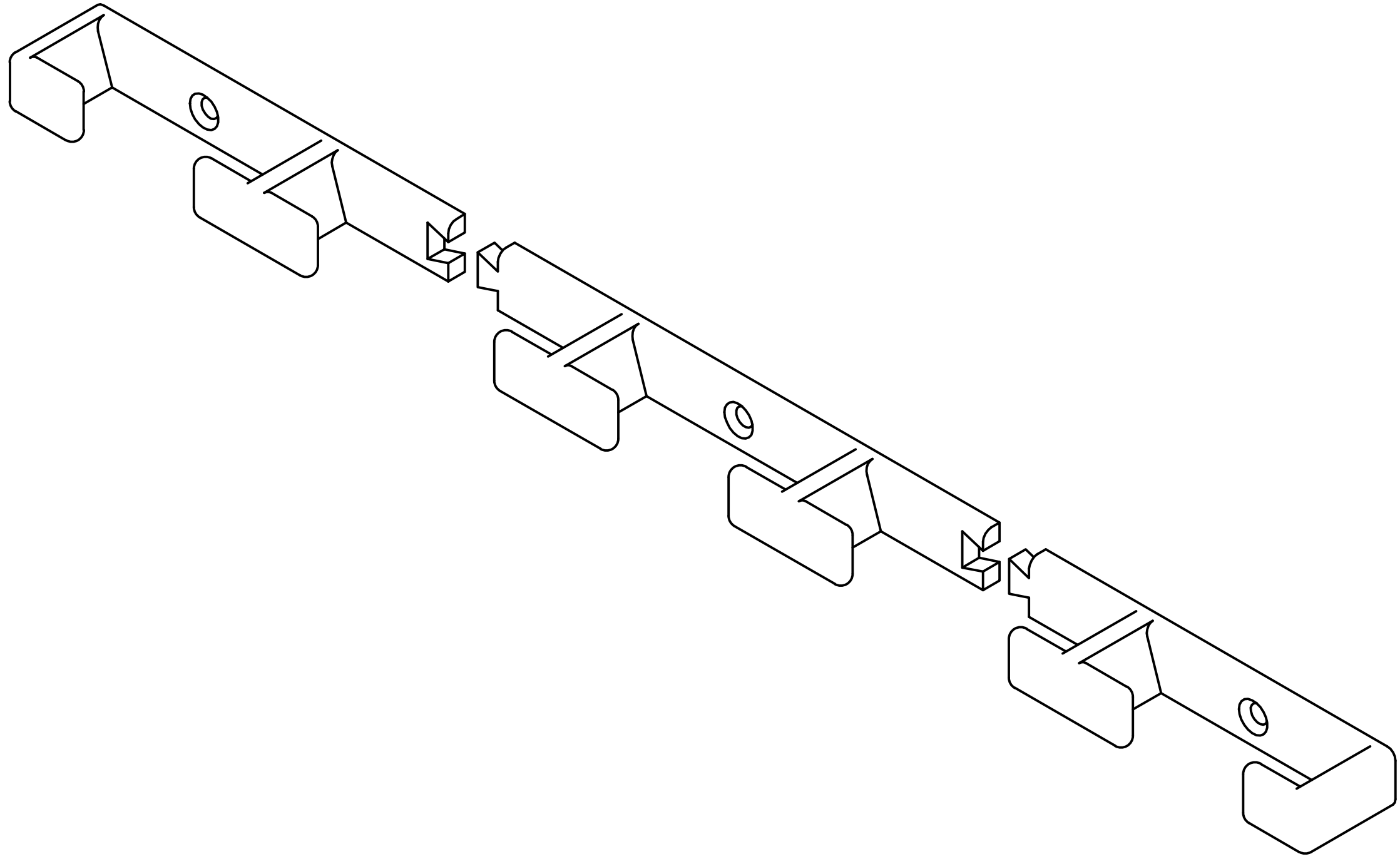


METRIC

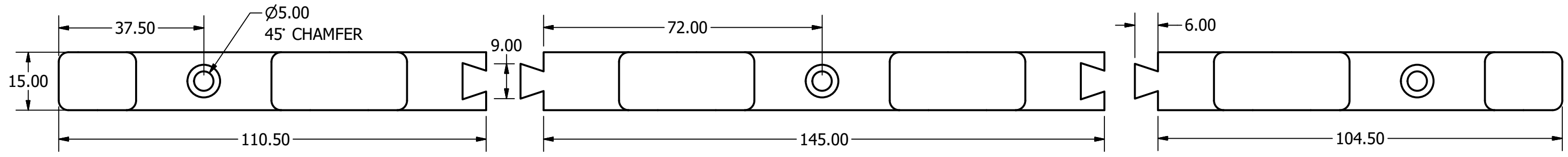
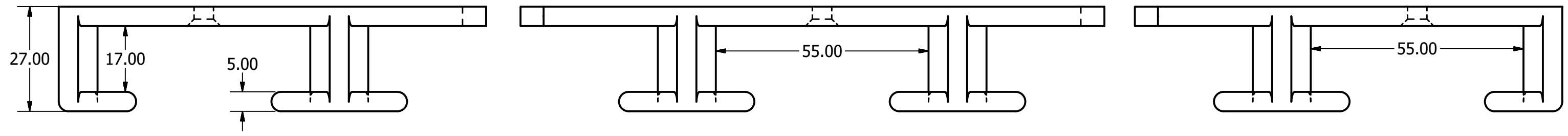


FILLETS AND ROUNDS: 2.5mm

DRAWN JAKE LEHOTSKY		5/25/2020		JAKE'S CUSTOM SHOP		
CHECKED						
QA				TITLE		
MFG				<b>PLIER HOOK 5</b>		
APPROVED						
				SIZE	DWG NO	REV
				B	ANSI_b_Std	
		SCALE	1	MODULE NUM.	0005	SHEET 1 OF 2

METRIC

FILLETS AND  
ROUNDS: 2.5mm



NOTE: DOVETAIL JOINT  
TOLERANCE MAY VARY.  
[0.15mm AS SHOWN]

DRAWN JAKE LEHOTSKY	5/25/2020	JAKE'S CUSTOM SHOP		
CHECKED		TITLE		
QA		<b>PLIER HOOK 5</b>		
MFG		SIZE B	DWG NO ANSI_b_Std	REV
APPROVED		SCALE 1	MODULE NUM.	SHEET 2 OF 2