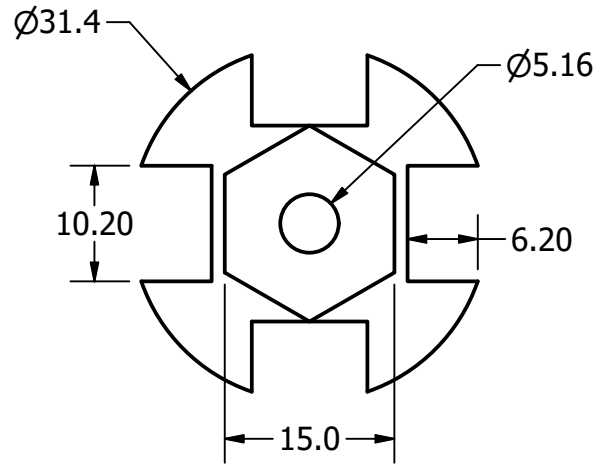
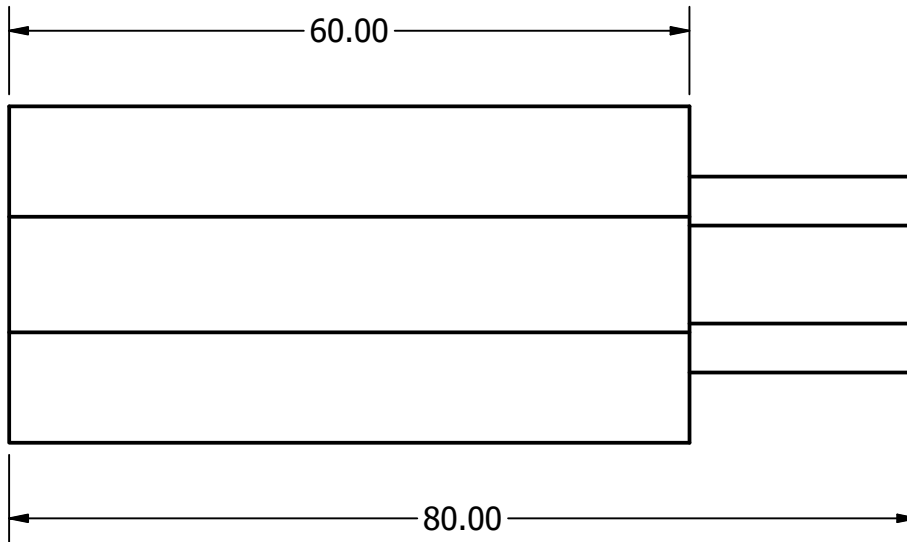
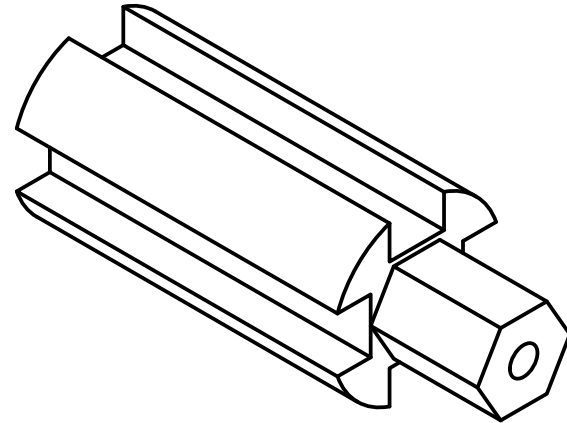


DRAWN J. LEHOTSKY	10/24/2020	JAKE'S CUSTOM SHOP		
CHECKED				
QA		TITLE 3D PRINTED PERMANENT MAGNET THREE PHASE SYNCHRONOUS AC GENERATOR		
MFG				
APPROVED				
		SIZE A	DWG NO Synchronas Generator	REV
		SCALE 3/2	MODULE NUM. SG0002	SHEET 1 OF 4

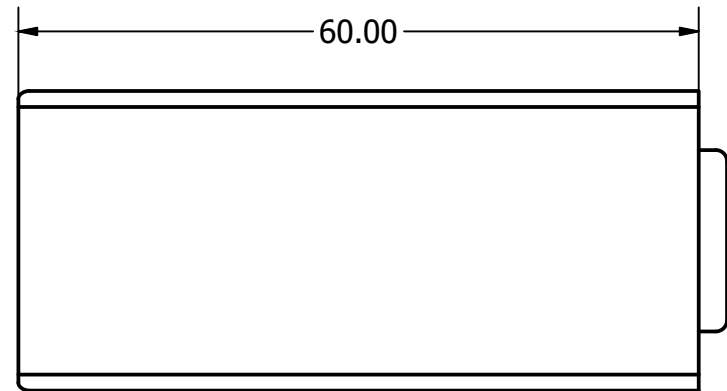
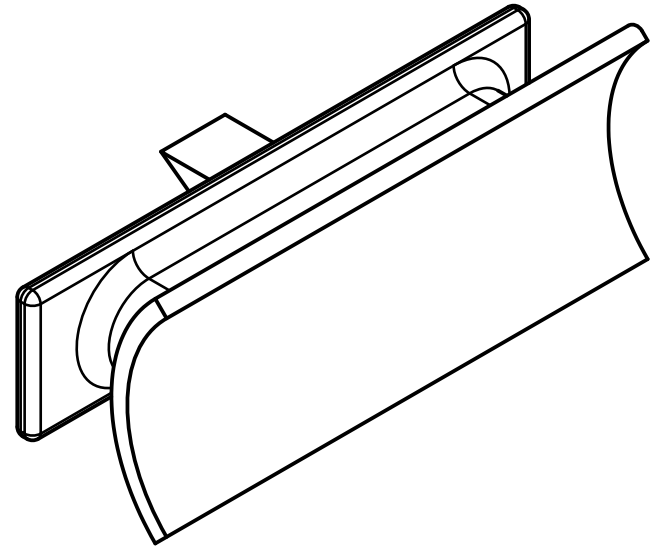
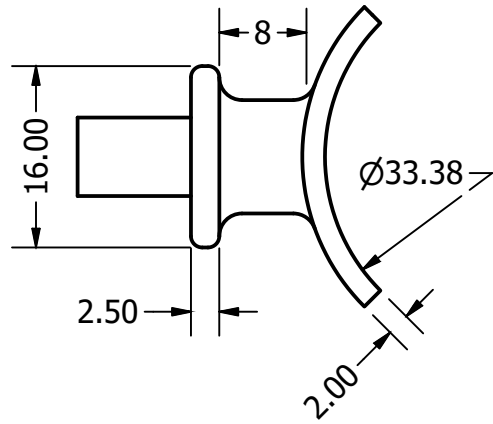
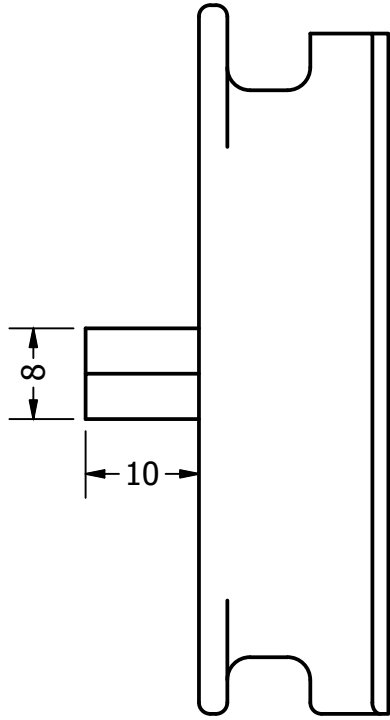
METRIC



DRAWN	J. LEHOTSKY	10/24/2020
CHECKED		
QA		
MFG		
APPROVED		

JAKE'S CUSTOM SHOP		
TITLE		
FOUR POLE ROTOR		
SIZE	DWG NO	REV
A	Synchronas Generator	
SCALE	MODULE NUM	SHEET 2 OF 4
3/2	SG0002	

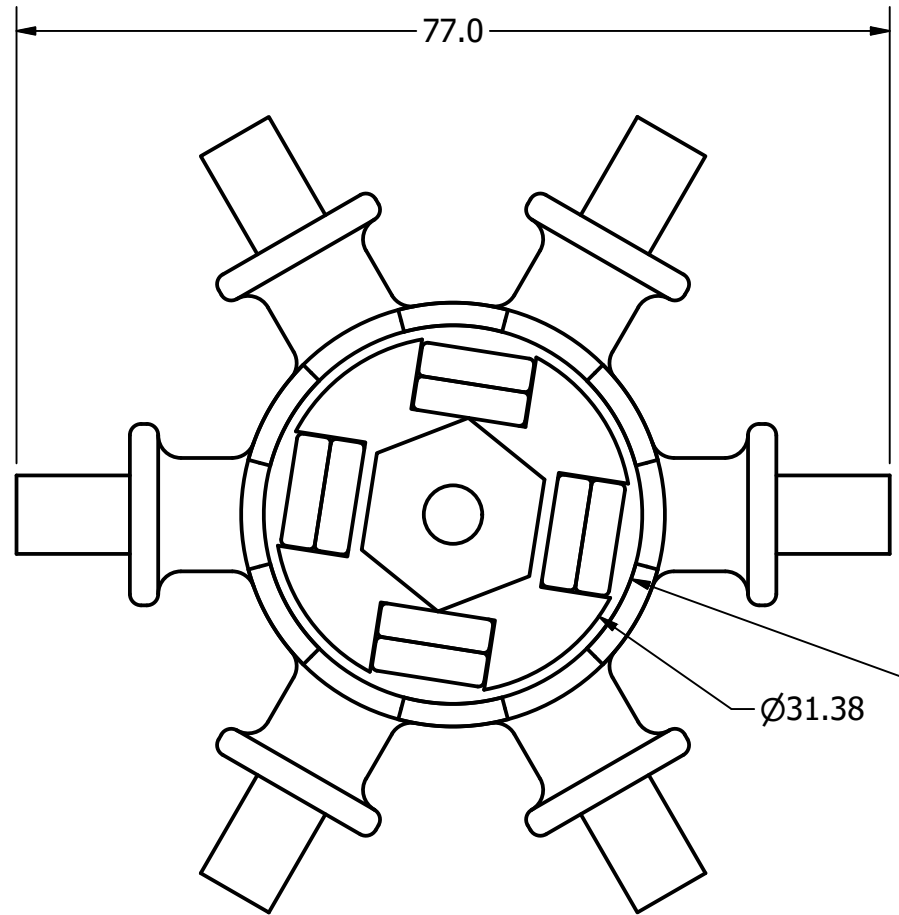
METRIC



FILLETS AND ROUNDS: 1mm
 STATOR-ROTOR MIN. CLEARANCE: 1mm

DRAWN J. LEHOTSKY	10/24/2020	JAKE'S CUSTOM SHOP	
CHECKED			
QA		TITLE	
MFG		STATOR SECTORIAL VIEW	
APPROVED		SIZE	DWG NO
		A	Synchronas Generator
		SCALE	REV
		3/2	
		MODULE NUM.	SHEET
		SG0002	3 OF 4

METRIC



DRAWN J. LEHOTSKY	10/24/2020	JAKE'S CUSTOM SHOP	
CHECKED		TITLE	
QA		GENERATOR ASSEMBLY FRONT VIEW	
MFG		SIZE	DWG NO
APPROVED		A	Synchronas Generator
		SCALE	REV
		3/2	
		MODULE NUM.	SG0002 SHEET 4 OF 4